



**XpressPort®**

NOW PART OF THE MITY FAMILY OF PRODUCTS

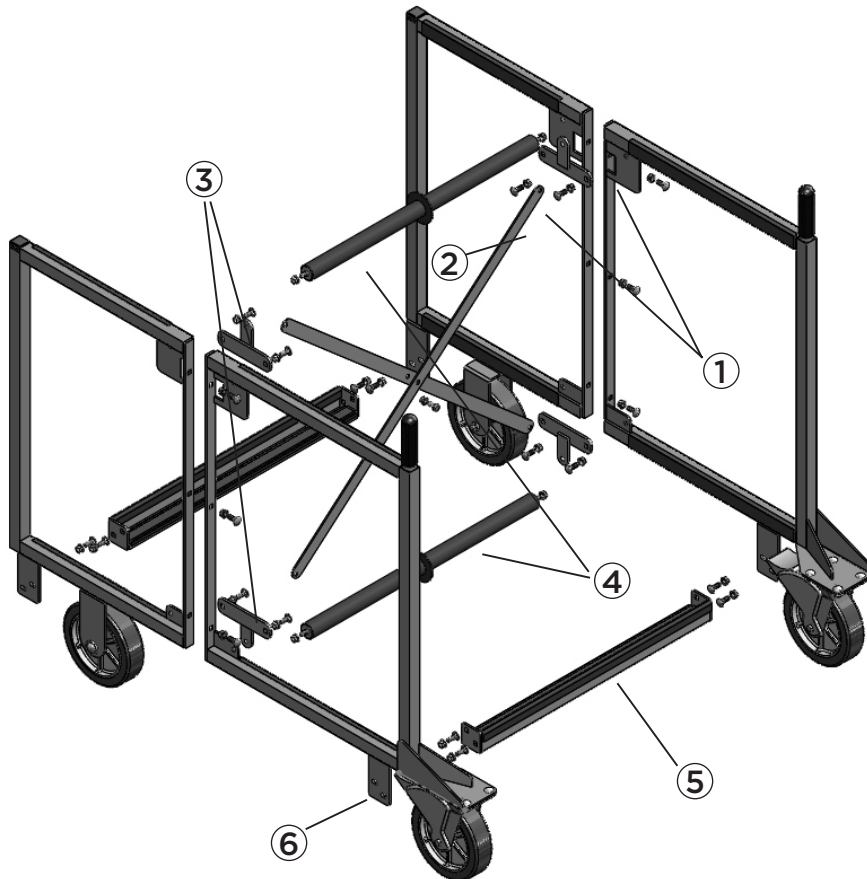
# ASSEMBLY INSTRUCTIONS

## SPACE-SAVER TRUCK

To assemble, follow the steps below. Please note that two people are required for assembly.

### TOOLS REQUIRED:

9/16" Socket wrench or open-end wrench



1. Join the two sections of each side frame **1** using three carriage bolts and locking flange nuts, making sure to place the ends of the X braces **2** over the upper and lower bolts before installing nuts serrated flange nuts. Insert a hex head bolt through the center hole in the X braces and secure with nut. Tighten securely.
2. Place the center hole of each attaching bracket **3** over the threaded studs on both ends of the upper and lower, foam covered backrest tubes **4** and secure with a serrated locking nut. Do not tighten at this time.
3. Mount the upper and lower backrest supports with brackets assembled in step 2 to the mounting plates on side frames, as shown on the drawing, using 2 carriage bolts and locking flange nuts. Tighten all nuts securely.
4. Attach the ends of lower support beams **5** to the mounting brackets **6** on the side frames using carriage bolts and locking flange nuts. Tighten Securely. (Note: There are 2 overlapping holes. Use the holes closest to the center of the truck unless your tables are too wide to fit easily in the truck.)



mitylite.com

1-800-909-8034



**XpressPort®**

NOW PART OF THE MITY FAMILY OF PRODUCTS

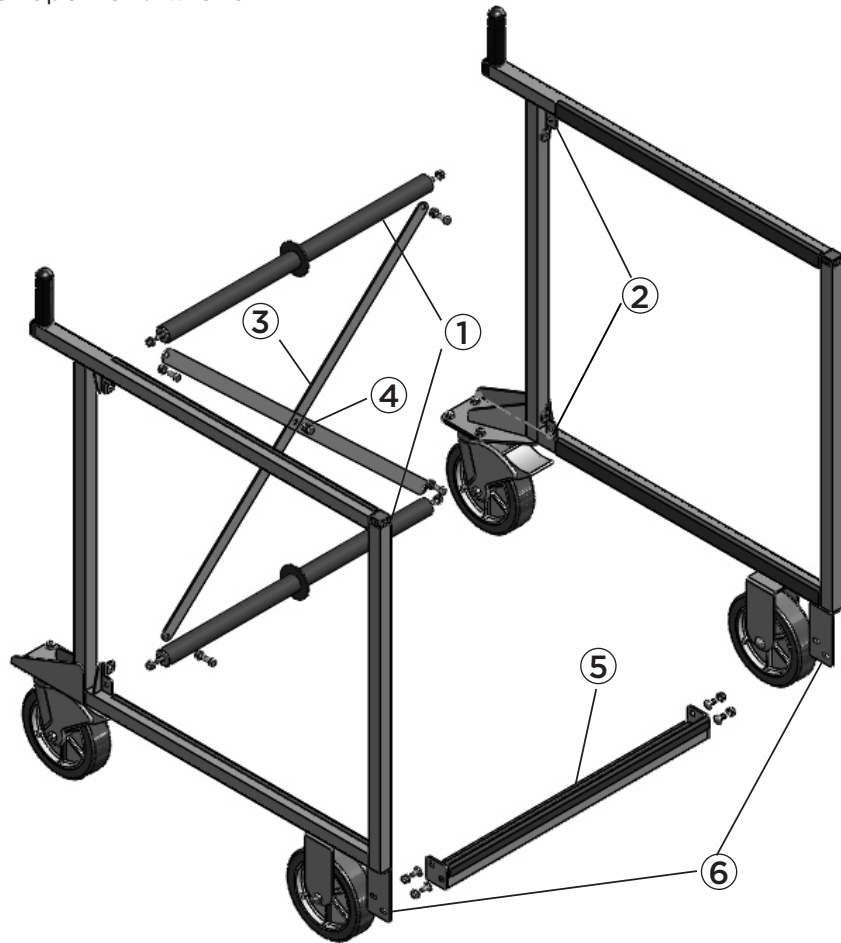
# ASSEMBLY INSTRUCTIONS

## SPACE-SAVER TRUCK

To assemble, follow the steps below. Please note that two people are required for assembly.

### TOOLS REQUIRED:

9/16" Socket wrench or open-end wrench



1. Attach upper and lower backrest tubes **1** by inserting the threaded studs into brackets on side frames **2** using 3/8" diameter locking flange nuts and tighten securely with a wrench.
2. Install X brace bars **3** by securing the ends to the brackets on the side frames **2** and the center holes **4** with 3/8" hex head bolts and locking flange nuts. Tighten securely.
3. Attach the ends of lower support beam **5** (Two beams are used on double entry units.) to the mounting brackets **6** on the side frames using 3/8" diameter carriage bolts and locking flange nuts. Tighten Securely..



mitylite.com

1-800-909-8034