



# MITYLITE™

## RT Cart-Double Capacity

### ASSEMBLY INSTRUCTION SHEET

#### Supply List

Before beginning cart assembly, ensure that all of the following components and fasteners are included in the package.

#### Parts:

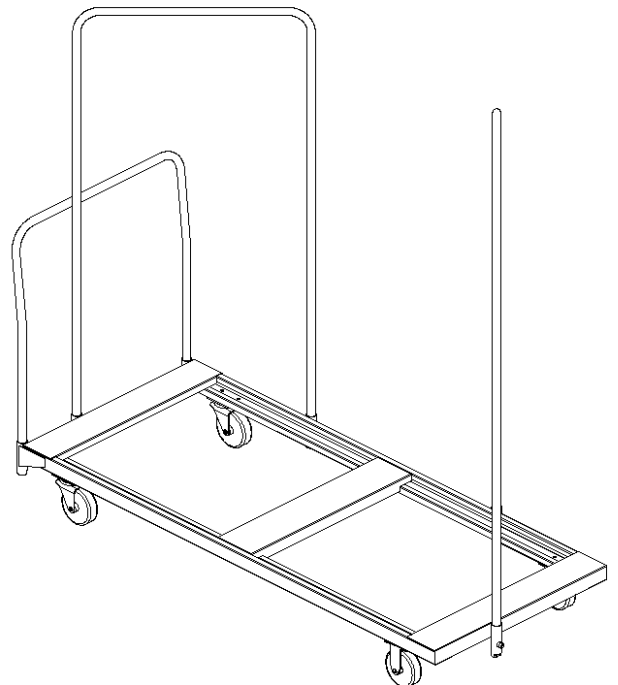
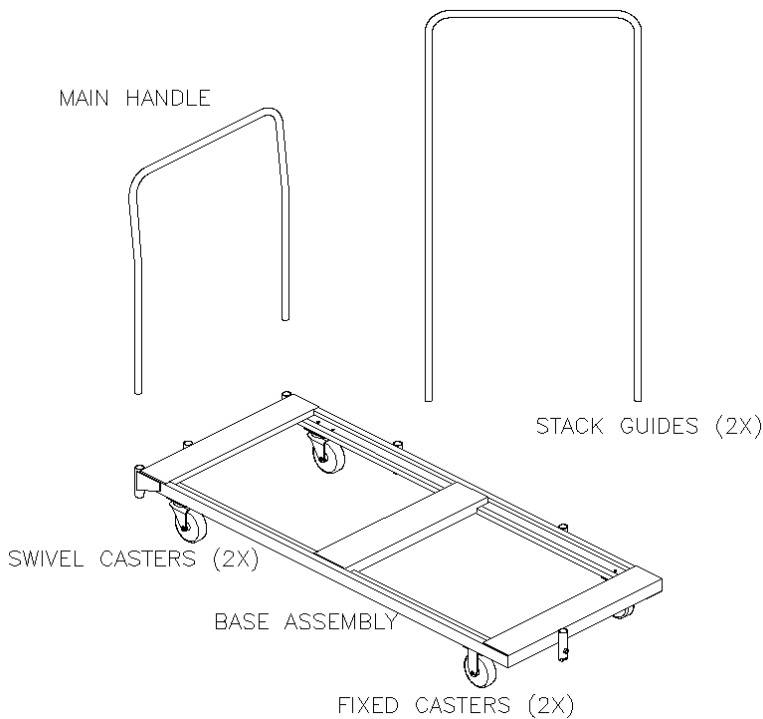
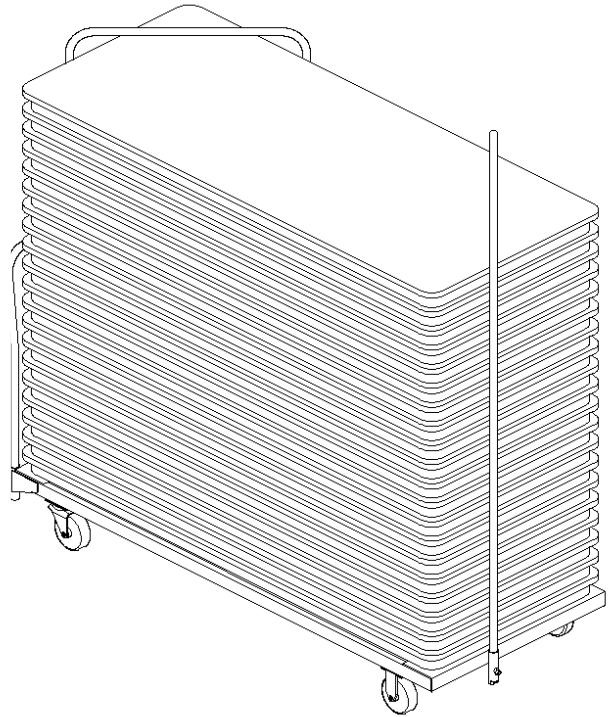
1. Base Assembly
2. Main Handle
3. Stack Guide (2)
4. (6) 3/8"-16 X 5/8" Socket Head Bolt

#### Tools Required:

1. 5/16" Hex Wrench (included)

#### Notes:

1. These instructions are used for both versions of the RT Double Capacity Cart.
2. All bolts should be kept tight for the cart to function properly and to avoid a potentially dangerous situation.



See other side for assembly information

### Assembly Instructions

#### Step:

1. Sit Base on wheels.
2. Insert the Main Handle into the sockets on the end of the Base (See Figure 1). Make sure the handle tilts towards you (See Figure 2).
3. Start the 3/8" X 5/8" socket head bolts into the threaded nut on the sockets (if not already done -See Figure 4). Do not tighten yet.
4. Insert the Stack Guides into the sockets on the sides and ends of the Base (See Figure 3).
5. Secure the handles to the Base by using the wrench provided (See Figure 4).

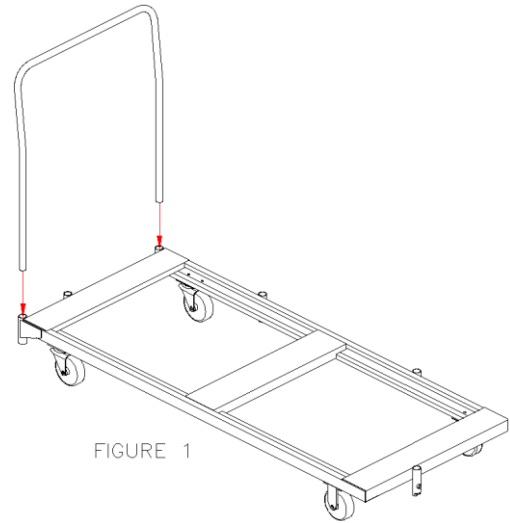


FIGURE 1

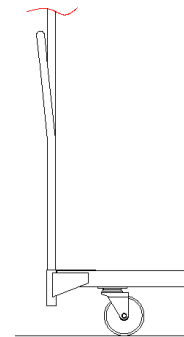


FIGURE 2

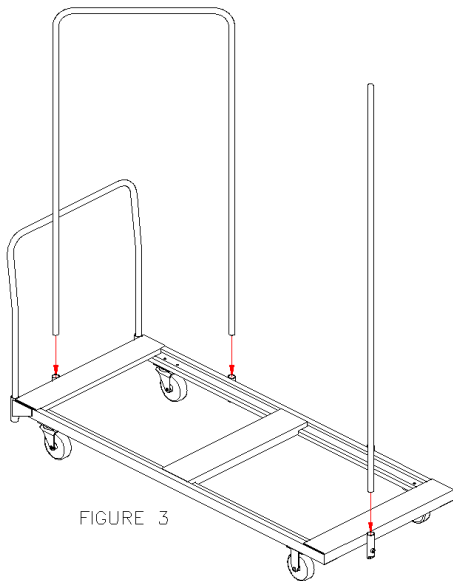


FIGURE 3

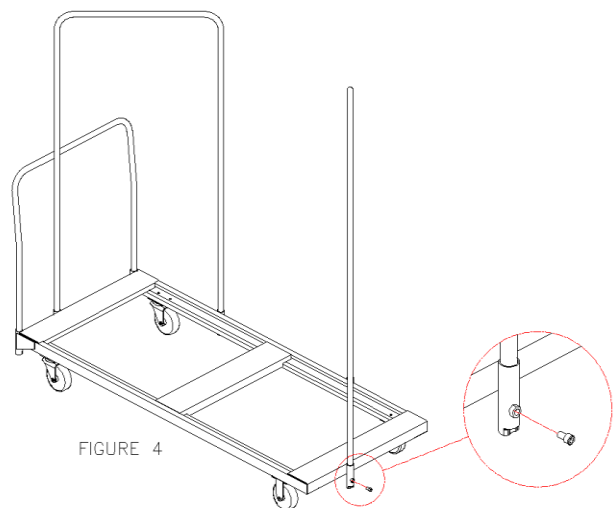


FIGURE 4