



# MITYLITE™

## Elevare Table Cart

### ASSEMBLY INSTRUCTION SHEET

#### Supply List

Before beginning cart assembly, ensure that all of the following components and fasteners are included in the package.

#### Parts:

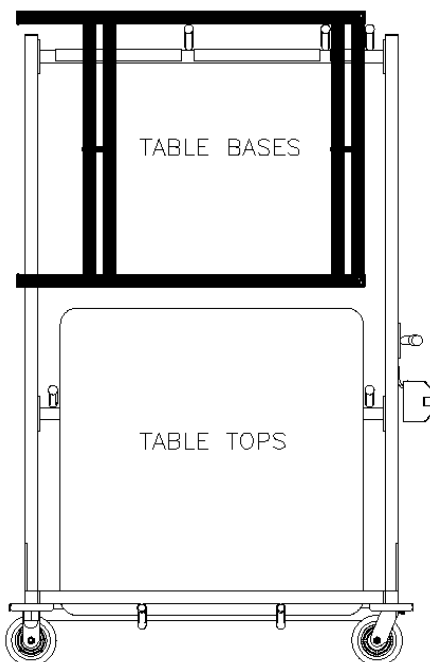
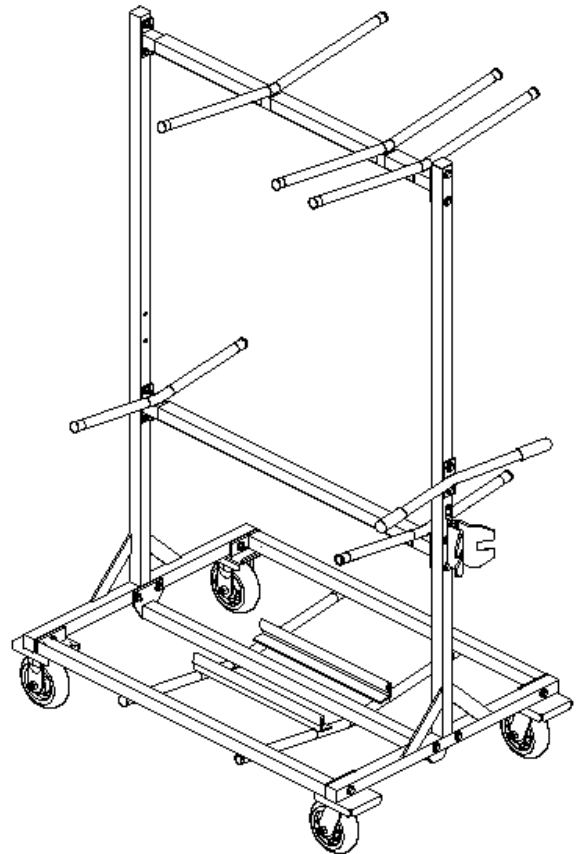
1. Top Rung Crossbar (112642)
2. Bottom Rung Crossbar (112644)
3. End Upright (112670)
4. End Upright w Hook (112641)
5. Handle (112645)
6. Base (112640)
7. Base Alignment Tool (230010)
8. (18) 5/16"-18 X 2 1/2" Hex Bolts (112331)
9. (44) 5/16" Flat Washers (112350)
10. (26) 5/16"-18 Nyloc Nuts (112346)
11. (2) 6" Fixed Casters (112288)
12. (2) 6" Swivel Casters (127035)

#### Tools Required:

1. 1/2" Wrench/Ratchet & Socket (not included)

#### Notes:

1. We recommend at least two people assemble this cart.
2. DO NOT tighten bolts until cart is completely assembled, this allows for adjustment, if necessary.
3. ALWAYS load bottom of cart first, alternating each side to evenly distribute weight.
4. Load/orient table bases as shown below.
5. When possible, load table tops so that the tops face each other.



See other side for assembly information

### Assembly Instructions

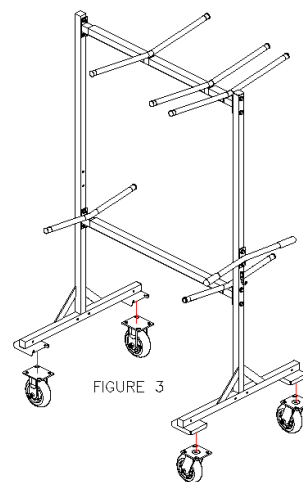
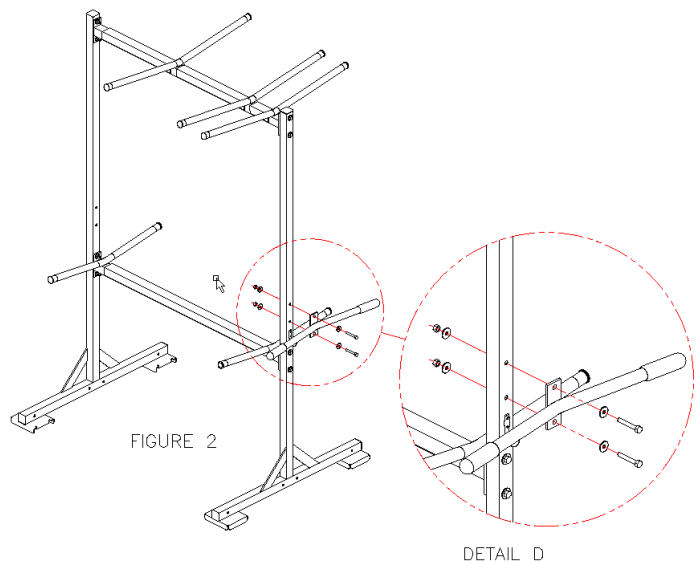
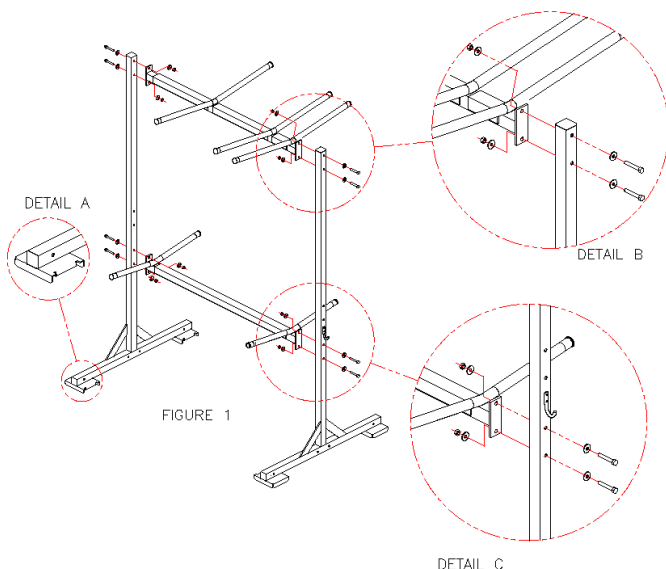
#### Step:

*NOTE: It is easier to assemble the cart before installing the casters. We recommend that at least two people assemble this cart.*

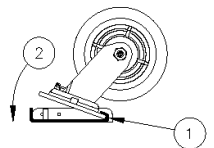
1. Orient the End Uprights so that the tab on the caster pad faces in towards the center of the cart (See Figure 1, Detail A).
2. Attach the Top Rung Crossbar to the End Uprights (See Figure 1, Detail B) using 2 1/2" long, 5/16" hex bolts, washers, and nyloc nuts. Hand tighten.
3. Attach the Bottom Rung Crossbar to the End Uprights (See Figure 1, Detail C) using 2 1/2" long, 5/16" hex bolts, washers, and nyloc nuts. Hand tighten.
4. Attach the Handle to the End Upright (See Figure 2, Detail D) using 2 1/2" long, 5/16" hex bolts, washers, and nyloc nuts. Hand tighten.

*NOTE: The Handle MUST be installed on the End Upright with Hook that is closest to the two rungs of the Top Rung Crossbar (See Figure 2).*

5. Lay the cart on its side. Attach the swivel casters on the handle side of cart & attach the fixed casters to the other side (See Figure 3 for caster installation instructions). Tighten.
6. Attach the Base to the End Uprights (See Figure 4, Detail E) using 2 1/2" long, 5/16" hex bolts, washers, and nyloc nuts. Hand tighten.
7. Tighten all bolts.
8. Place Base Alignment Tool on hook just under the Handle.



#### CASTER INSTALLATION INSTRUCTIONS (SWIVEL CASTER SHOWN)



- 1) SLIDE CASTER UNDER TAB.
- 2) ONCE CASTER IS UNDER TAB, PRESS CASTER DOWN OVER THREADED STUDS.
- 3) ADD 5/16" WASHER & NUT.
- 4) TIGHTEN.

