



MITYLITE™

Elevare Leg Only Cart

ASSEMBLY INSTRUCTION SHEET

Supply List

Before beginning cart assembly, ensure that all of the following components and fasteners are included in the package.

Parts:

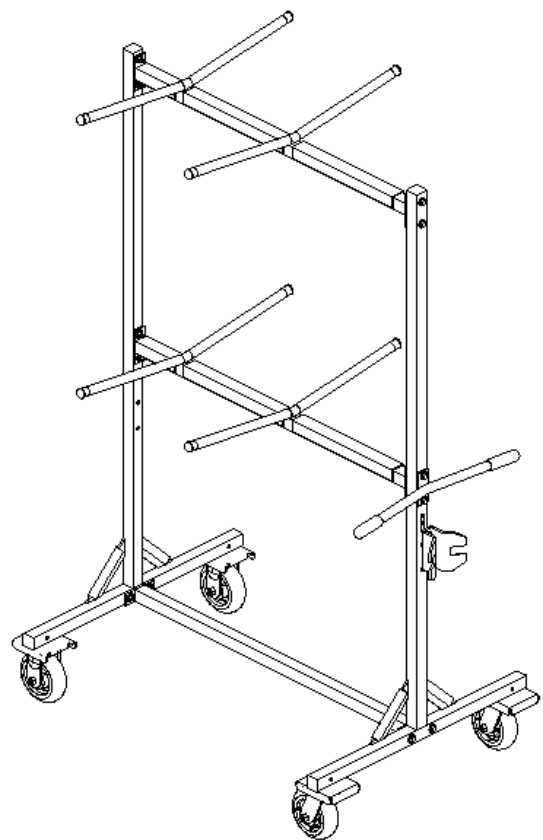
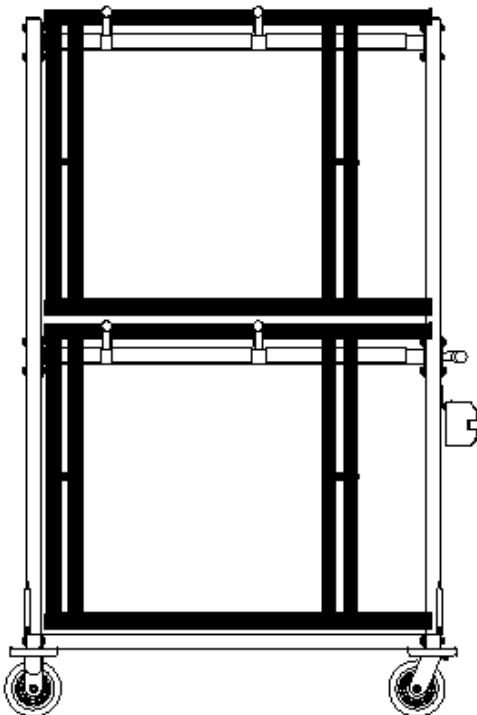
1. (2) Two Rung Crossbar (112672)
2. Bottom Crossbar (112643)
3. End Upright (112674)
4. End Upright with Hook (112673)
5. Handle (112645)
6. Base Alignment Tool (230010)
7. (12) 5/16"-18 X 2 1/2" Hex Bolts (112331)
8. (32) 5/16" Flat Washers (112350)
9. (20) 5/16"-18 Nyloc Nuts (112346)
10. (2) 6" Fixed Casters (112288)
11. (2) 6" Swivel Casters (127035)

Tools Required:

1. 1/2" Wrench/Ratchet & Socket (not included)

Notes:

1. We recommend at least two people assemble this cart.
2. DO NOT tighten bolts until cart is completely assembled, this allows for adjustment, if necessary.
3. ALWAYS load bottom of cart first, alternating each side to evenly distribute weight.
4. To avoid injury, must load/orient table bases as shown below:



See other side for assembly information

Assembly Instructions

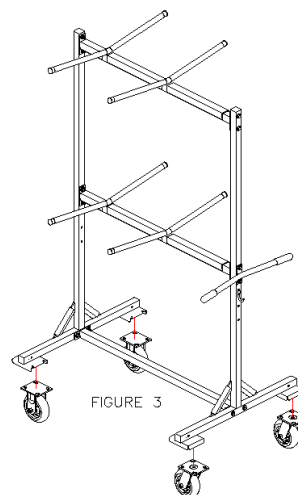
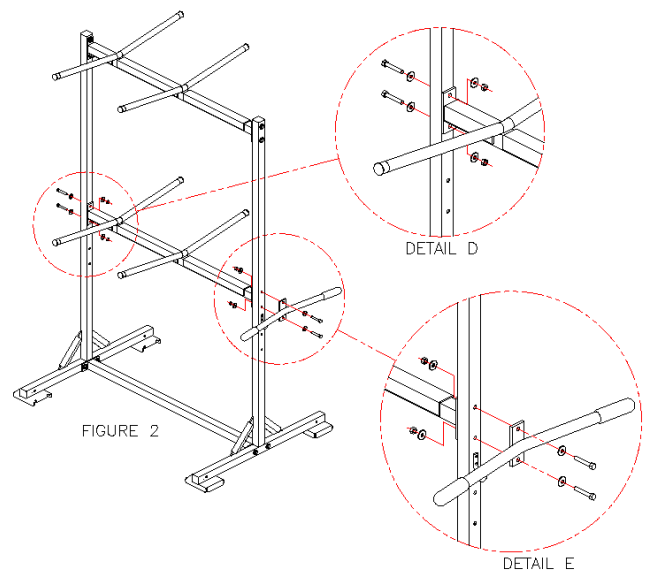
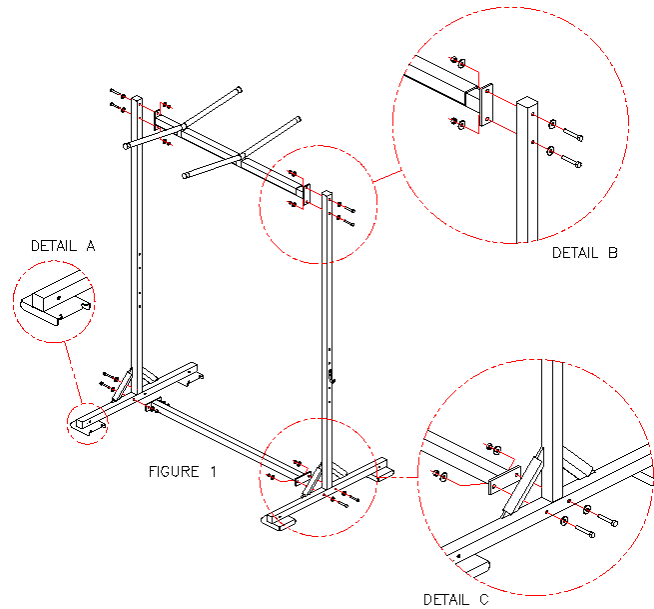
Step:

NOTE: It is easier to assemble the cart before installing the casters. We recommend that at least two people assemble this cart.

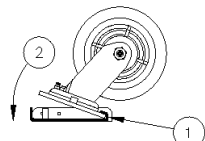
1. Orient the End Uprights so that the tab on the caster pad faces in towards the center of the cart (See Figure 1, Detail A).

NOTE: Make sure the rungs are closest to the End Upright without the hook (See Figures 1 & 2).

2. Attach one of the Two Rung Crossbar to both End Uprights (See Figure 1, Detail B) using 2 1/2" long, 5/16" hex bolts, washers, and nyloc nuts. Hand tighten.
3. Attach the Bottom Crossbar to both End Uprights (See Figure 1, Detail C) using 2 1/2" long, 5/16" hex bolts, washers, and nyloc nuts. Hand tighten.
4. Attach the other Two Rung Crossbar to both End Uprights (See Figure 2, Detail D) using 2 1/2" long, 5/16" hex bolts, washers, and nyloc nuts. Hand tighten.
5. Attach the Handle to the End Upright with Hook (See Figure 2, Detail E) using 2 1/2" long, 5/16" hex bolts, washers, and nyloc nuts. Hand tighten.
6. Lay the cart on its side. Attach the swivel casters on the handle side of cart & attach the fixed casters to the other side (See Figure 3 for caster installation instructions). Tighten.
7. Tighten all bolts.
8. Place Base Alignment Tool on hook just under the Handle.



CASTER INSTALLATION INSTRUCTIONS (SWIVEL CASTER SHOWN)



- 1) SLIDE CASTER UNDER TAB.
- 2) ONCE CASTER IS UNDER TAB, PRESS CASTER DOWN OVER THREADED STUDS.
- 3) ADD 5/16" WASHER & NUT.
- 4) TIGHTEN.