



MITYLITE™

CT Cart-X Leg

ASSEMBLY INSTRUCTION SHEET

Supply List

Before beginning cart assembly, ensure that all of the following components and fasteners are included in the package.

Parts:

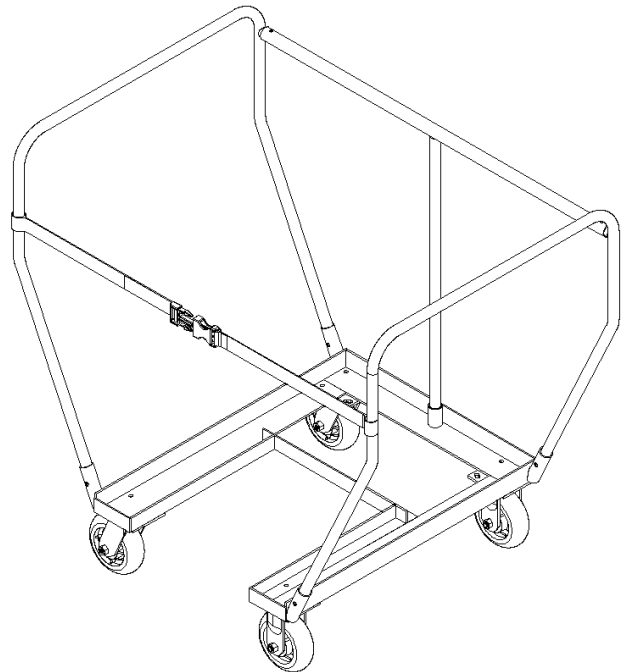
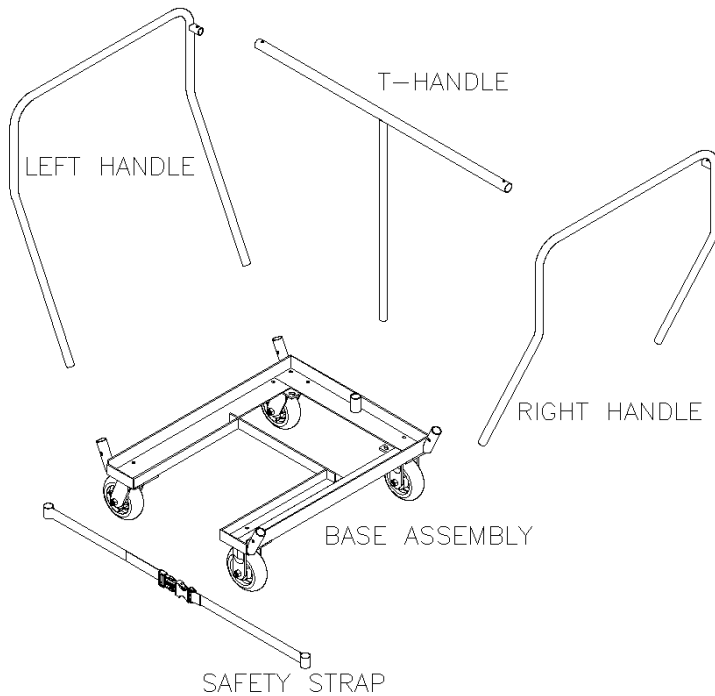
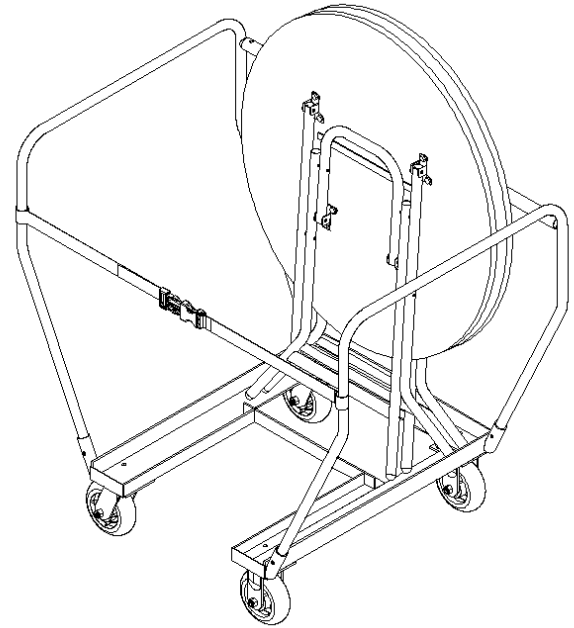
1. Base Assembly
2. T-Handle
3. Handles (Left & Right)
4. 5) 3/8"-16 X 3/4" Socket Head Bolt
5. 2) 1/4"-20 X 1 1/2" Hex Head Bolt
6. 2) 1/4"-20 Nyloc Nut
7. Safety Strap

Tools Required:

1. 5/16" Hex Wrench (included)
2. 7/16" Wrench\Ratchet & Socket (not included)

Notes:

1. We recommend that two people assemble this cart.
2. All bolts should be kept tight for the cart to function properly and to avoid a potentially dangerous situation.
3. These instructions are used for both versions of the X-Leg Cart.



See other side for assembly information

Assembly Instructions

Step:

1. Slide the safety strap on the front of the right and left Handle (See Figure 1).
2. Start the 3/8" X 3/4" socket head bolts into the threaded nut on the sockets (if not already done -See Figure 4, Detail A). Do not tighten yet.
3. Insert the left and right Handles into the sockets on the base (See Figure 2).
4. Insert the T-Handle into the Base first. Then gently pull out on the back of the left and right Handles allowing the T-Handle to slide over the Handle mounts (See Figure 3). Make sure the hole in the T-Handle and Handle mount align.
5. Insert the 1/4" X 1 1/2" hex bolt through the hole in the T-Handle and Handle mount (See Figure 4, Detail B). Hand Tighten.
6. Secure the handles to the Base by using the wrench provided (See Figure 4, Detail A).
7. Tighten the T-Handle bolts (See Figure 4, Detail B).
8. Load tables from the front end of the cart. The opening in the cart allows the user to walk into the cart and place tables on the cart base. The top of the table should face the T-Handle.
9. Secure tables on the cart using the safety strap.

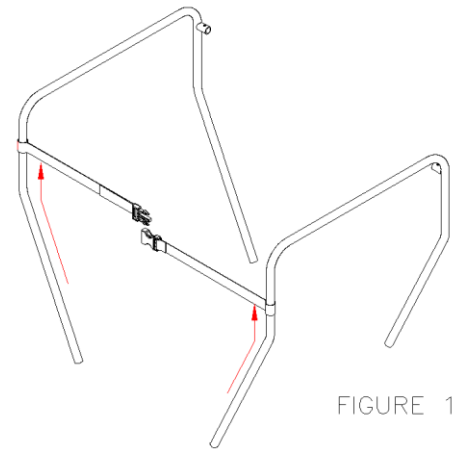


FIGURE 1

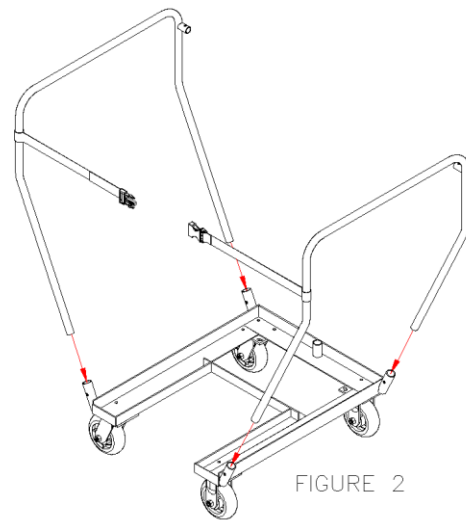


FIGURE 2

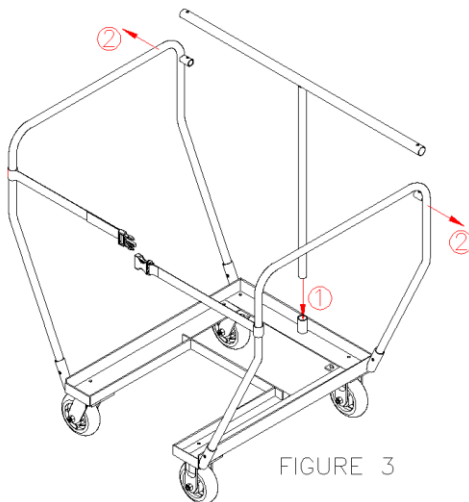


FIGURE 3

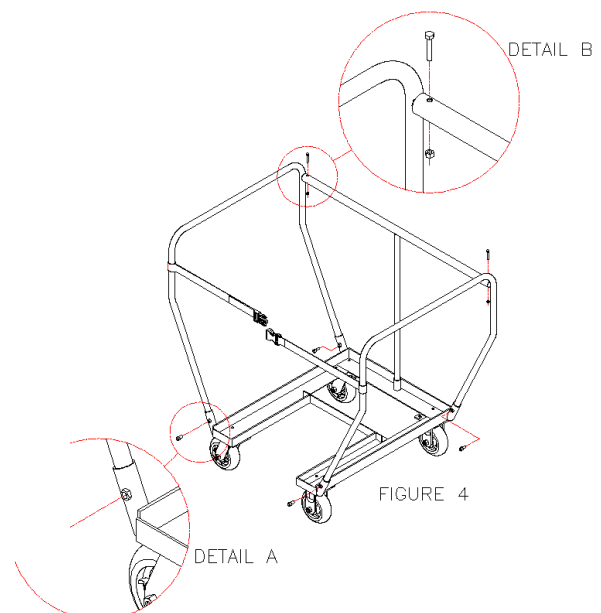


FIGURE 4